

AP-120-MNT-CV Access Point Enclosure

Installation Guide

Introduction

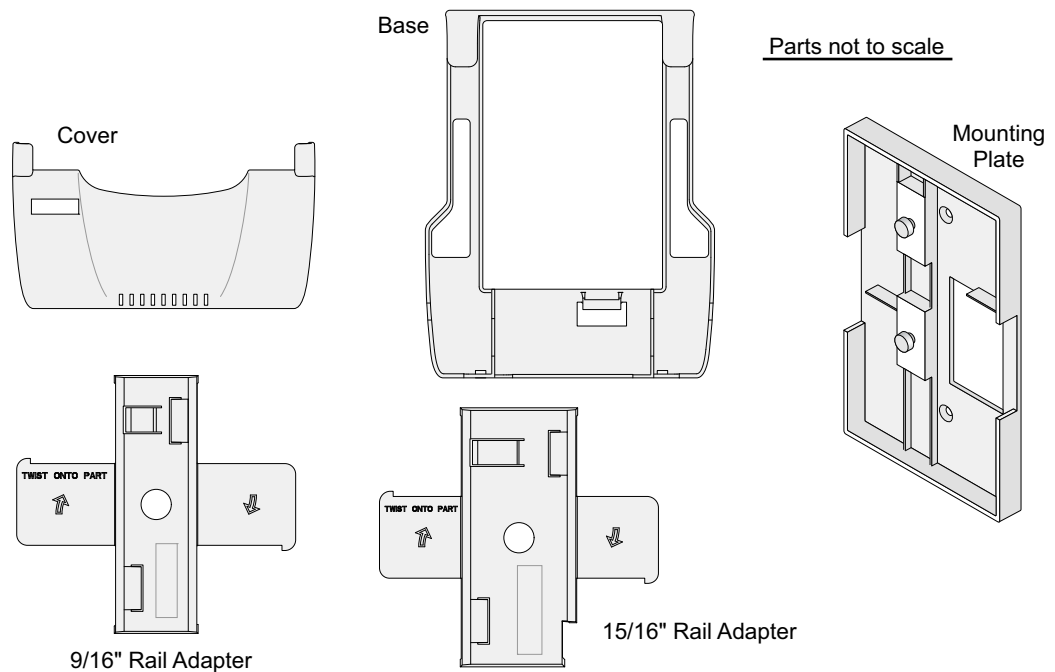
The AP-120-MNT-CV access point (AP) enclosure is designed to provide some protection and limited access to an AP-121 or AP-125. The AP-120-MNT-CV can be installed directly over a standard junction box or on the ceiling, using ceiling tile rails.

To install the AP-120-MNT-CV on a wall, proceed to "[Installing the AP-120-MNT-CV on a Wall](#)" on page 2.

To install the AP-120-MNT-CV on a ceiling, proceed to "[Installing the AP-120-MNT-CV on a Ceiling](#)" on page 5.

The AP-120-MNT-CV kit includes the following:

- 1x Plastic base, which attaches to the AP
- 1x Plastic cover, which hides the AP's ports
- 1x Plastic outlet-mounting plate
- 1x 9/16" ceiling tile adapter
- 1x 15/16" ceiling tile adapter



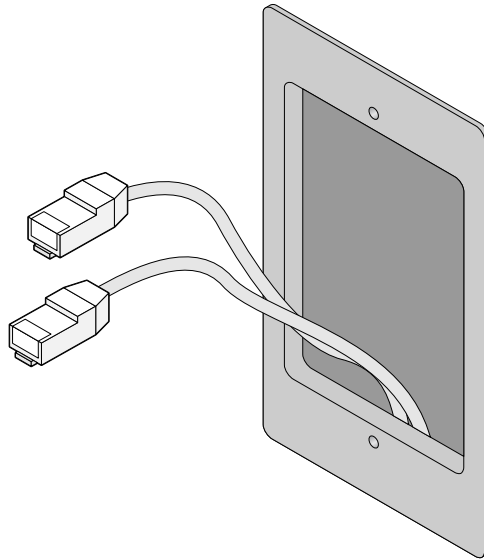
Additional Tools

- A screwdriver that matches the screws in the cover plate over the installed junction box
- (Optional) flat-head screwdriver or similar tool to punch out antenna access cutouts

Installing the AP-120-MNT-CV on a Wall

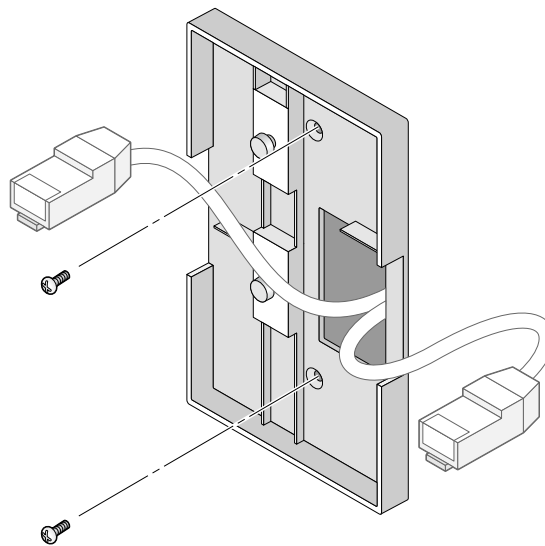
1. Attach the base plate as follows:
 - a. Remove the cover plate from an installed junction box (Figure 1). Save the screws.

Figure 1 Removing the installed cover plate



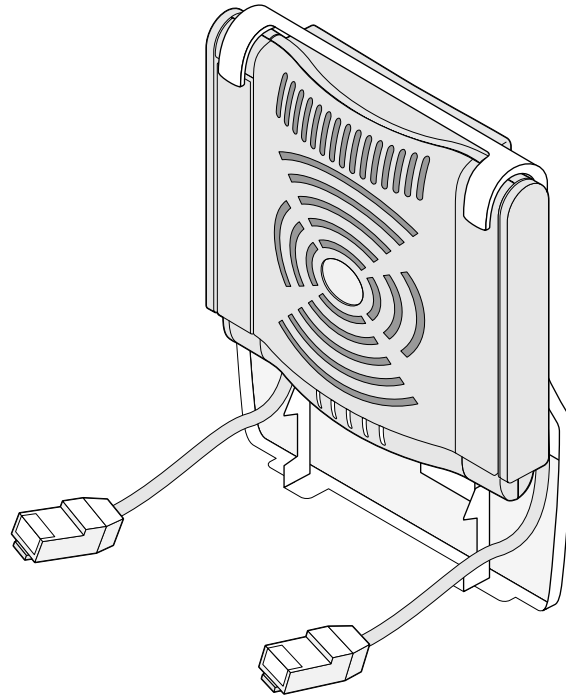
- b. Identify the Ethernet cable or cables that will be connected to the AP-121 or AP-125. The Ethernet cable must have a male RJ-45 connector.
- c. Attach the mounting plate to the junction box using the screws from the removed cover plate (Figure 2).

Figure 2 Installing the mounting plate



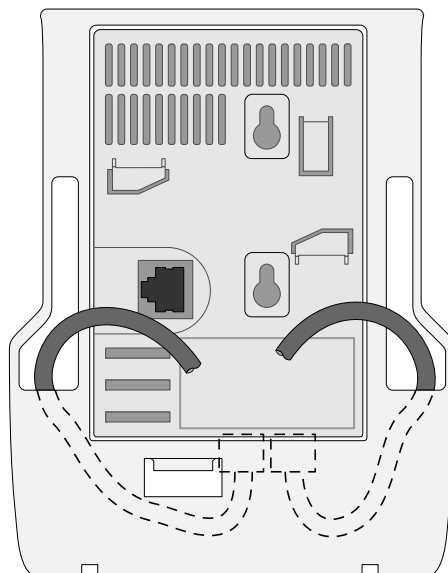
2. With the hook on the base facing away from the wall, pull the ethernet cables through the holes on either side of the base. Hold the cable down and out of the way.
3. Place the AP into the base (**Figure 3**). Place the top AP into the hooks on the base and align the back of the AP with the large opening in the base.

Figure 3 AP installed in the base



4. Connect the ethernet cable or cables to the AP (**Figure 4**). Ensure that the cables do not obstruct any of the connection points between the base and the cover.

Figure 4 Cable path



5. Complete the installation process as follows (**Figure 5**):
 - a. Align the mounting posts on the mounting plate with the mounting holes on the back of the AP.
 - b. Push the AP against the pegs and downward, until the pegs engage the slots at the top of the mounting holes.
 - c. (Optional) Extend right and left antennas vertically before installing the cover.
 - d. Once the AP is securely attached to mounting plate, install the cover by placing the hooks on the cover into the holes on the bottom of the base. Push the top of the cover towards to base until it clicks into places.

Figure 5 *Completing the installation*

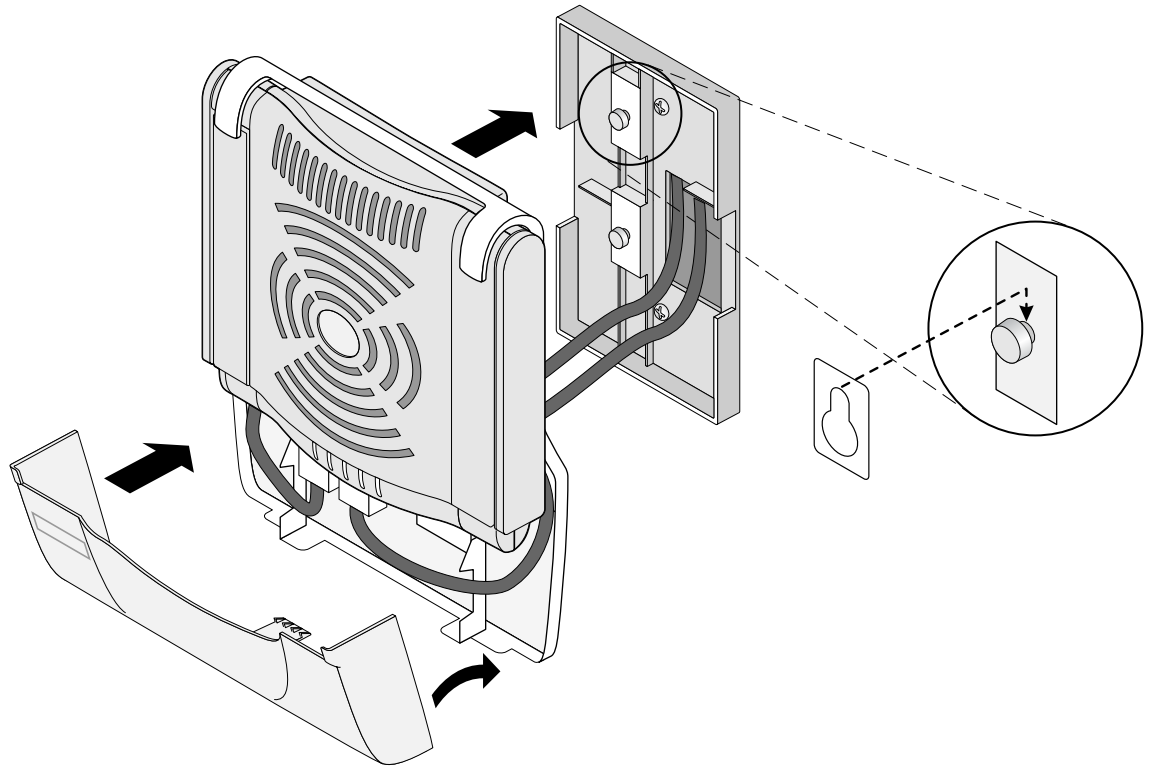
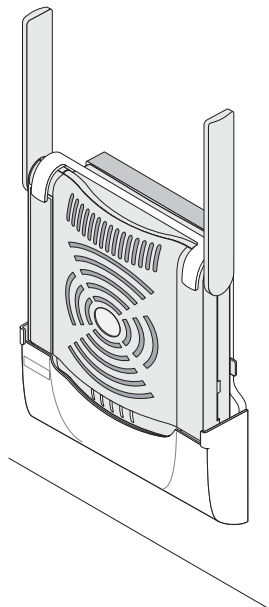


Figure 6 *Completed wall installation*

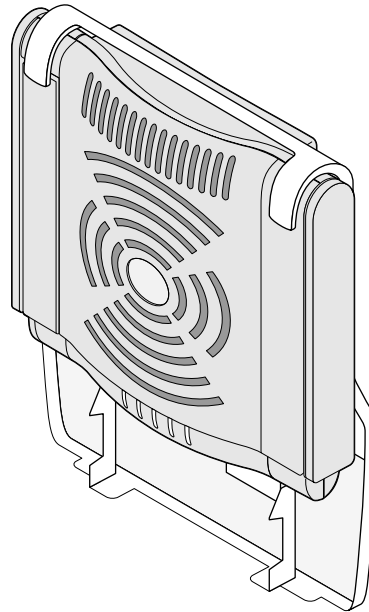


Installing the AP-120-MNT-CV on a Ceiling

To install the AP enclosure on a ceiling rail:

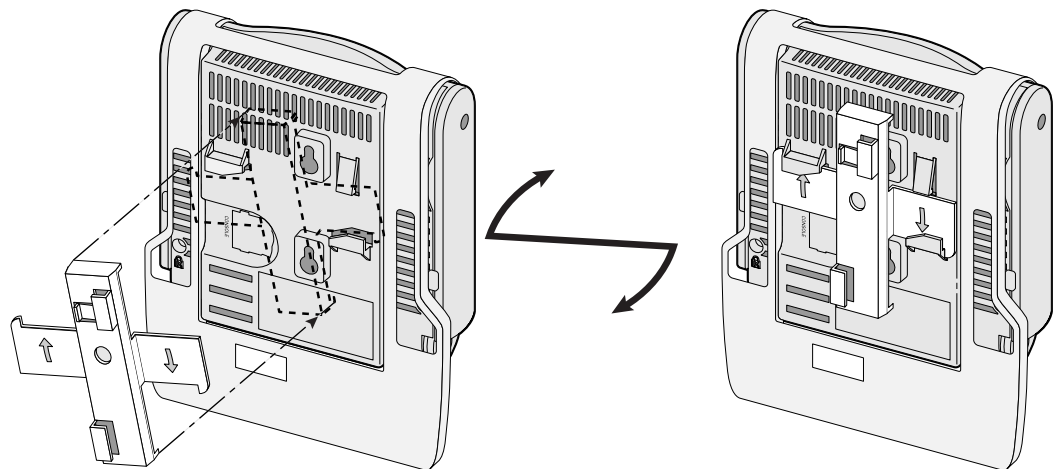
1. Place the AP into the base (Figure 7). Place the top AP into the hooks on the base and align the back of the AP with the large opening in the base.

Figure 7 AP Installed in base



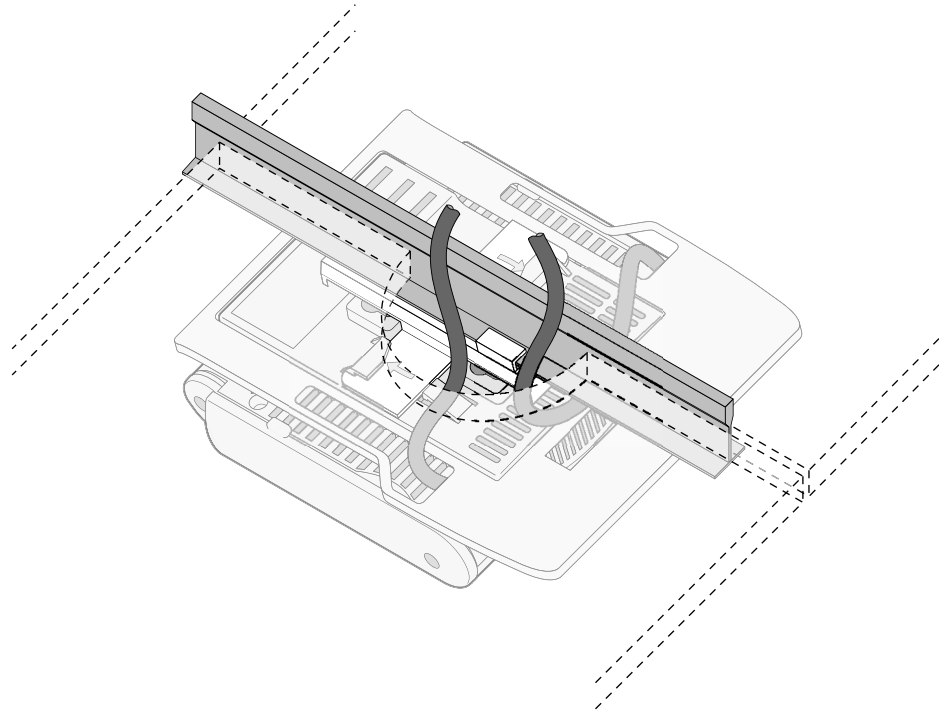
2. Install the ceiling rail adapter that matches your ceiling rails (Figure 8).

Figure 8 Installing the AP ceiling rail adapter



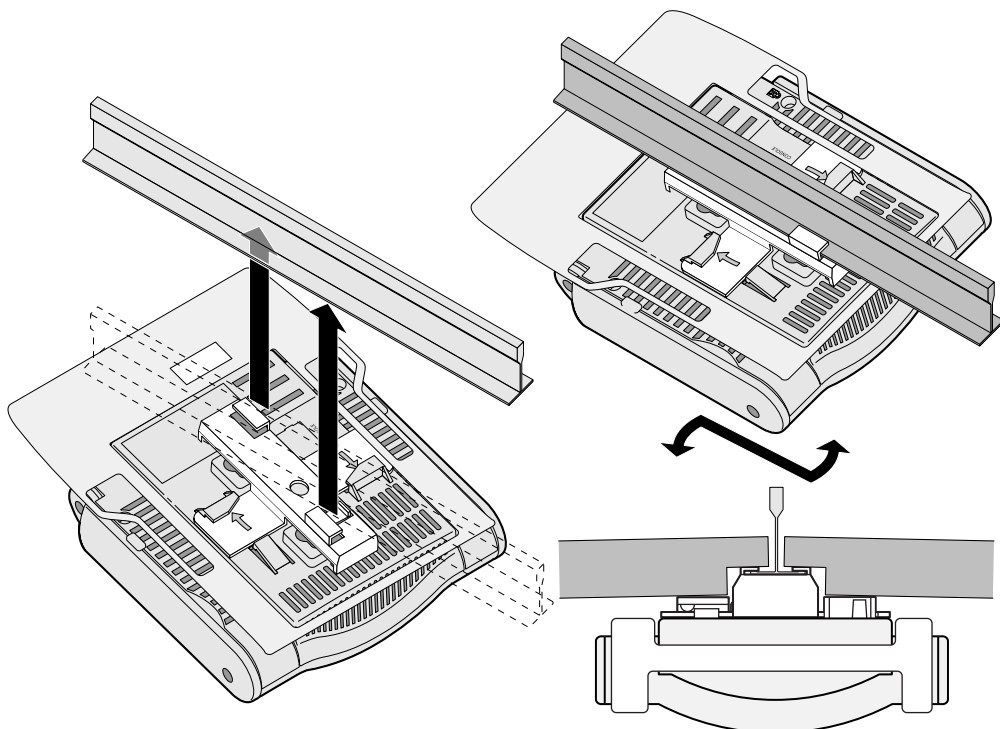
3. Pull the necessary cables through a prepared hole (Figure 9) in the ceiling tile near where the AP will be placed.
4. Connect the ethernet cable or cables to the AP. Ensure that the cables do not obstruct any of the connection points between the base and the cover.

Figure 9 Cable path



5. Hold the enclosure base next to the ceiling rail with the ceiling rail at approximately a 30-degree angle to the ceiling tile rail (Figure 10).
6. Rotate the enclosure base clockwise until the device clicks into place on the ceiling rail.

Figure 10 Installing the AP on a ceiling rail



7. Before installing the cover, you must clear the access cutout to allow the antenna to extend. The access is shown in [Figure 11](#).
8. Once the AP is secured to the ceiling rail, install the cover by placing the hooks on the cover into the holes on the bottom of the base ([Figure 11](#)). Push the top of the cover towards to base until it clicks into places.

Figure 11 *Installing the cover*

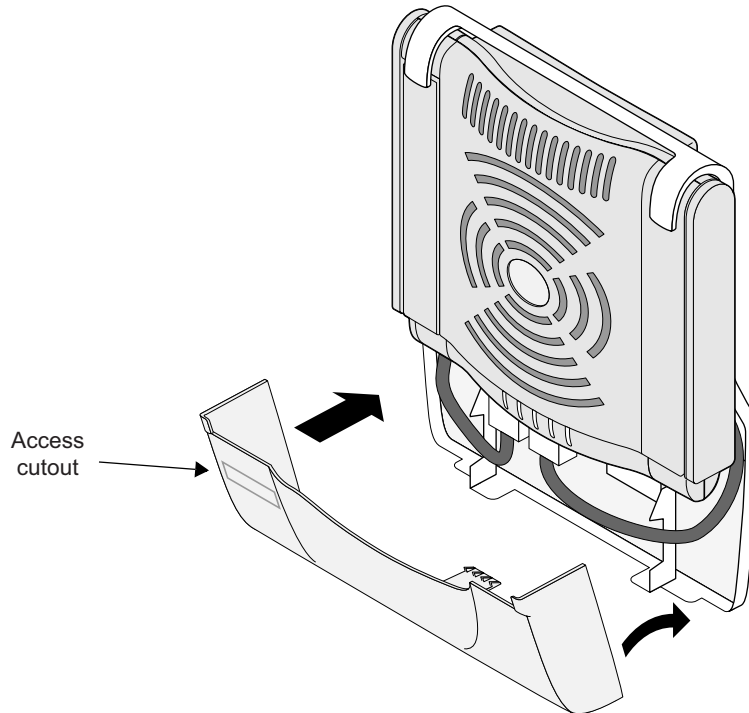


Figure 12 *Completed ceiling installation*

